

Base Storage/Transport Rack For Heat On Demand® Bases Model IHBR98

Our Heat On Demand® base storage and transport rack not only facilitates proper drying of our bases, it enables them to cool to room temperature after warewashing.

Constructed of strong, stainless steel tubing, it's extremely stable when transporting. Four 5" swivel casters let you move in any direction; when engaged, locking brakes on two casters keep it firmly in place. It features stainless steel racks that won't rust, and welded construction for extra durability and strength. It's built to last!

Standard Features:

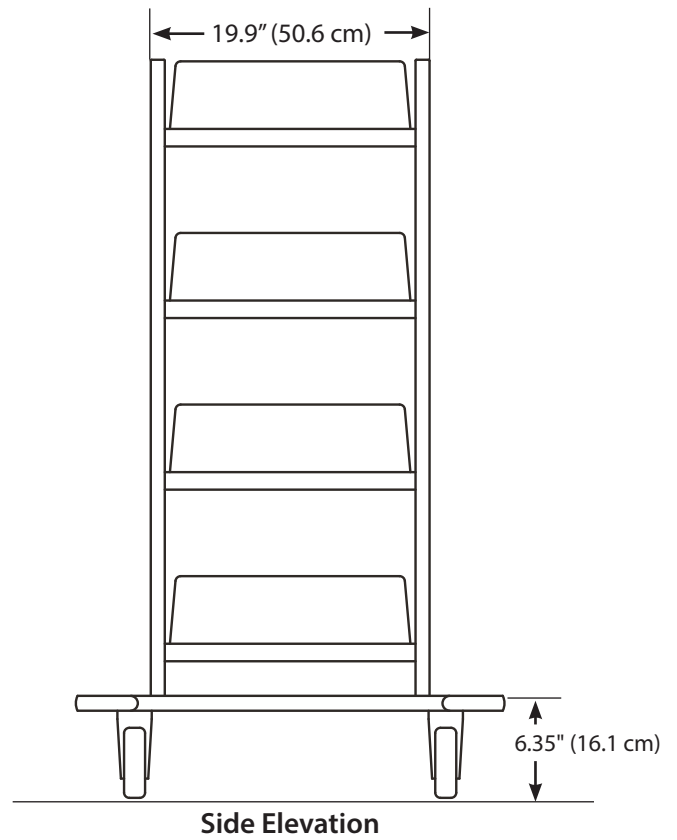
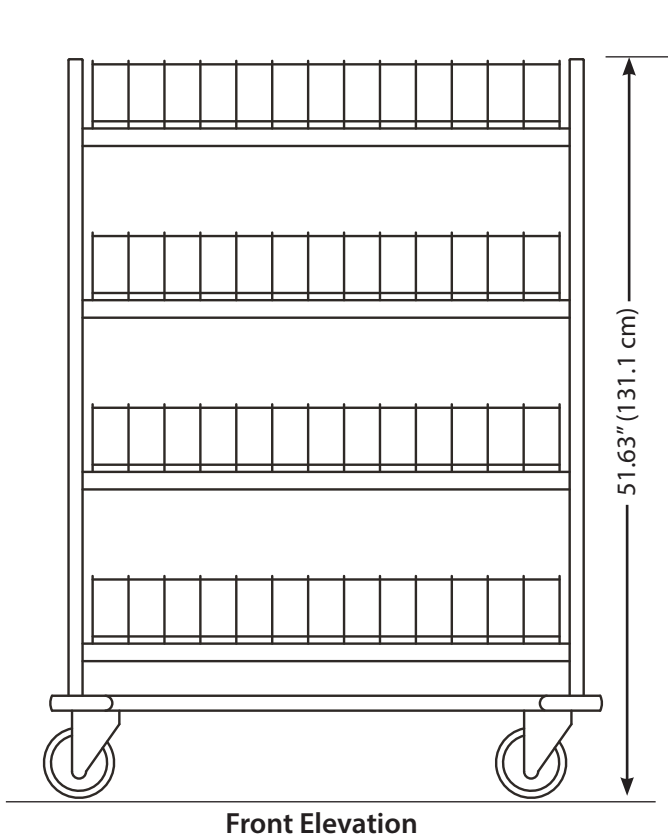
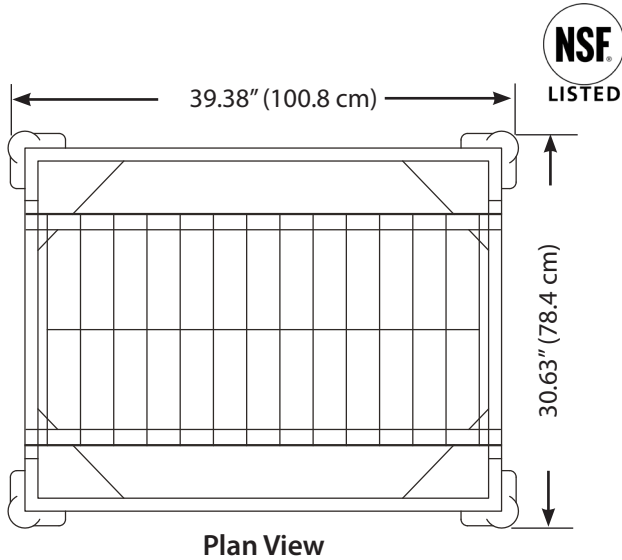
- Designed for easy, efficient removal of bases during tray assembly.
- Welded 304 stainless steel tube frame for strength and durability.
- Four 5" swivel casters, two with locking brakes.
- Corner bumpers protect walls and other surfaces.
- Stainless steel wire racks prevent rusting.
- Lightweight and extremely stable for ease when transporting.
- Easy to clean.
- NSF listed.



Four 5" swivel casters let you move in any direction. Locking brakes keep your rack right where you want it.

Technical Data	Length	Width	Height
	39.38 (100.8 cm)	30.63" (78.4 cm)	51.63" (131.1 cm)
Storage Rack Capacity			
104 bases total; 4 stainless steel wire racks hold 26 bases each			
Weight of Rack Components			
Frame Only	58 lbs. (26.30 kg)		
Frame and Wire Racks	88 lbs. (39.91 kg)		
Shipping Weight	120 lbs. (54.40 kg)		
Shipping Cube	41.10 cubic feet		

Base Storage/Transport Rack For Heat On Demand® Bases Model IHBR98



Visit aladdintemprite.com/patents for patent information.
 250 E. Main St. | Hendersonville, TN 37075 | Customer Service: 800.888.8018 | Tech Service: 800.888.5426 | Fax: 888.812.9956 | aladdintemprite.com
 ©2023 Aladdin Temp-Rite®. All rights reserved. Note: Specifications are subject to change without notice.



Rev. B S230124HODRK

an Ali Group Company



The Spirit of Excellence